



# BAS-1P

## 1Ø Building Automation Starter

1Ø, 110~240VAC, 0.1-1HP  
HOA, Status, Lockable Disconnect  
Adjustable Wide Range Overload



# The Universal 1Ø Starter for Smart Buildings

## On/Off Disconnect Switch with Recessed Hand/Auto Modes

- Concealed Hand/Auto switch discourages tampering
- Lockable motor-rated On/Off switch meets safety regulations
- Meets UL/NEC/NFPA service disconnect requirements when properly installed
- LED indicator lights for power, run and fault

## Run Status Verification

- Integrated current sensing confirms motor operational status
- Quickly and accurately pinpoint malfunctioning equipment

## Voltage & Dry Inputs for Auto Run Command

- Wire directly from the automation system to the starter, no interposing relays necessary
- Save on installation costs and increase reliability.

## System Override Mode (Fireman's, Occupancy or Manual)

- Initiates smoke purge sequence during emergency situations for safety and code compliance or use for occupancy sensor run input (dry contact)

## Wide Range Class 10 Electronic Overload

- Prevents ordering confusion and eliminates call backs due to mis-sized heaters.
- Advanced protective features including anti-cycling, manual/auto reset, etc.

## Standard Single Gang Box Installation

- Easy to install in any location
- Surface or flush mount capability

## High Reliability

- Heavy duty motor-rated switch and control relay
- No thermal elements to fail
- All units include a 5-Year warranty
- UL 508A Listed

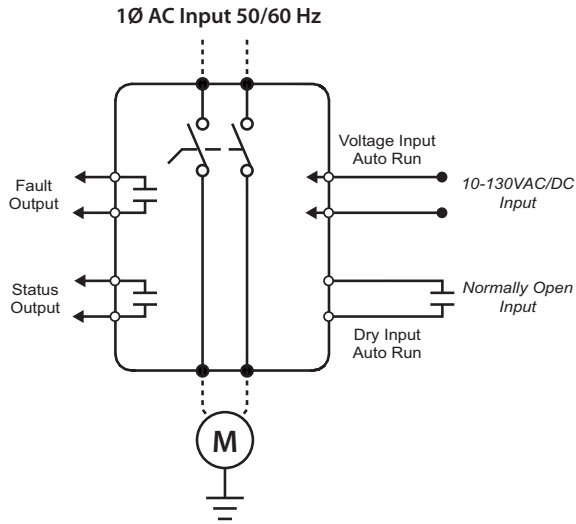
### Smart Specifying



"When I specify the Cerus BAS-1P, I know all the small fans are controlled properly. I've provided the most flexible single phase starter allowing for smoother start-ups."

**FOR EXHAUST FANS  
UNIT VENTILATORS &  
FAN COIL UNITS**

## BAS-1P Wiring Diagram



## Specifications

### Starter Type

1Ø Building Automation Starter

UL Type 1

### User Interface

On/ Off Switch (disconnect)

Concealed Hand/Auto Mode Switch

### Standard Control Operations

Inputs	
Voltage Auto Run	Apply 10-130VAC/DC to energize
Dry Auto Run	N.O. dry contact closure
Outputs	
Proof of Run	N.O., 0.3A@125VAC; 1A@24VAC
Fault	N.O., 0.3A@125VAC; 1A@24VAC

### Mechanical

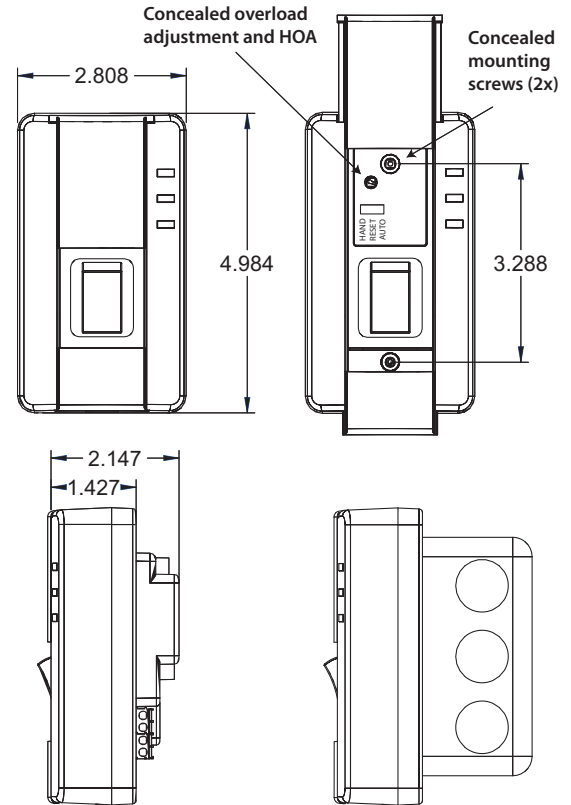
Enclosure Type	UL Type 1
----------------	-----------

## Ordering Information

Starter with Manual Overload Trip Reset	BAS-1P
Starter with Automatic Overload Trip Reset	BAS-1P-AR

## Dimensions

All dimensions displayed in inches



### Protective Functions

Overload Type	Electronic; I <sup>2</sup> t Thermal Trip Curve
Current Setting Range	1 - 16 amps
Trip Class	Class 10
Reset	Manual or Automatic
Stall/Locked Rotor	Trips within 2 seconds @ 300% FLA

### Environmental

Ambient Operating Temp	-5° to 140° F (-20° to 60° C)
Ambient Storage Temp	-5° to 185° F (-20° to 85° C)
Relative Humidity	5% to 95% non-condensing



LED pilot lights for ease of use



Lock-out disconnect switch



Adjustable overload (1-16A) eliminates sizing heaters